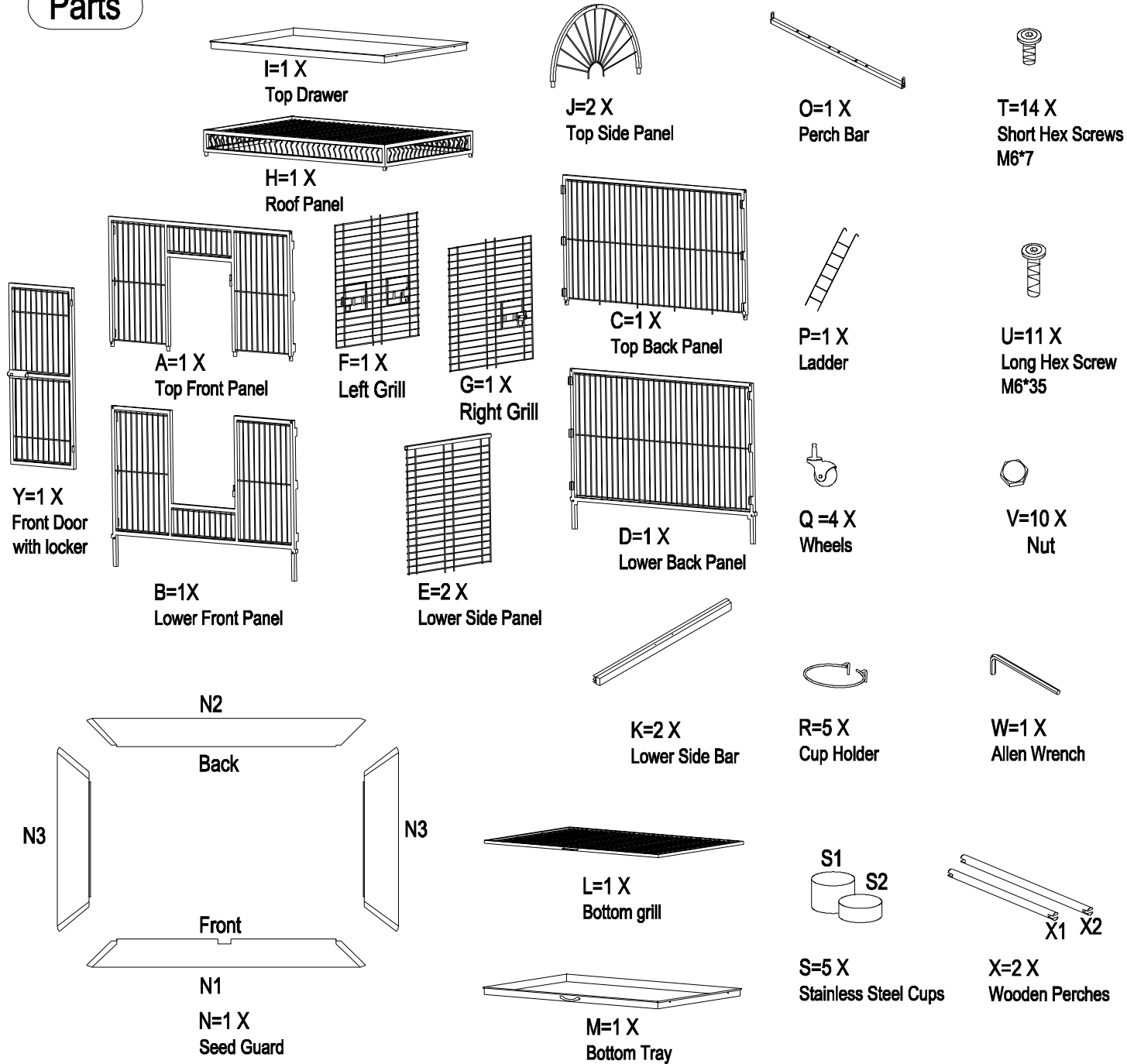


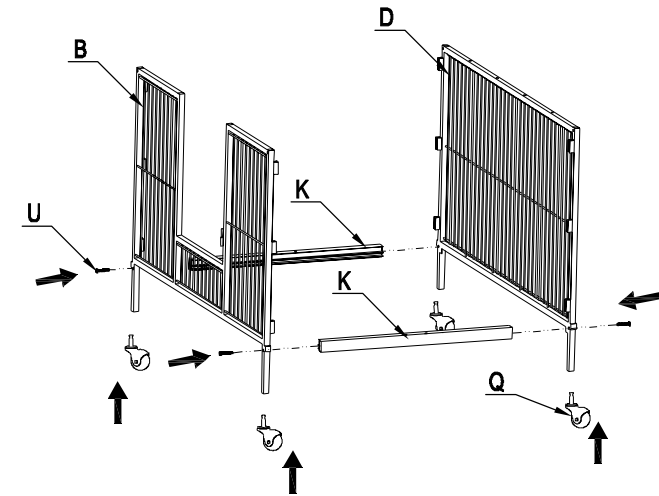
# A08R Assembly Instructions

## Parts



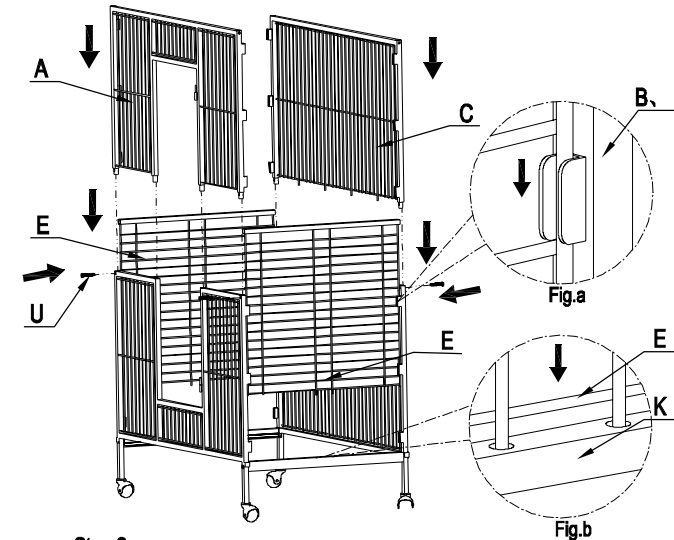
## Steps

ATTENTION: THESE STEPS REQUIRE TWO PEOPLE.



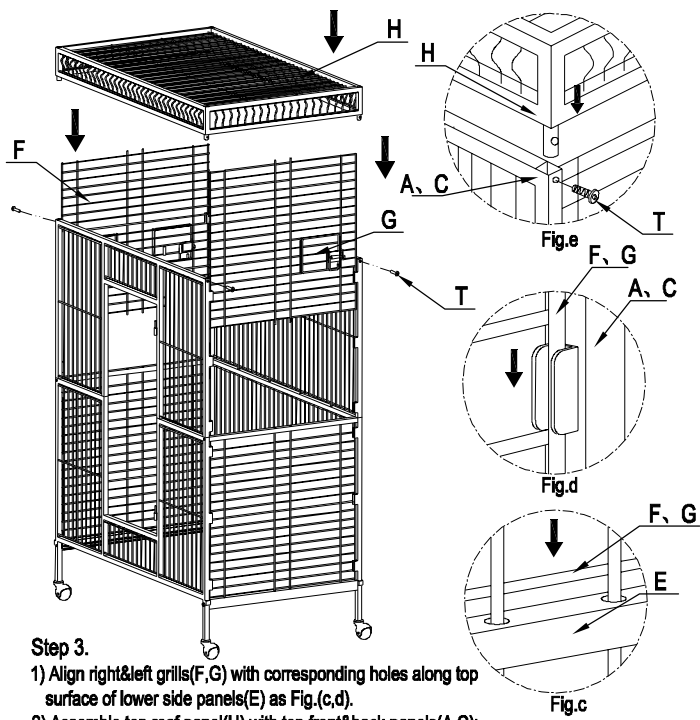
Step 1.

- 1) Attach wheels (R) with feet of lower front & back panel (B, D);
- 2) Assemble lower side bars (K) with lower front & back panel (B, D); then fix them with long hex screws (U).



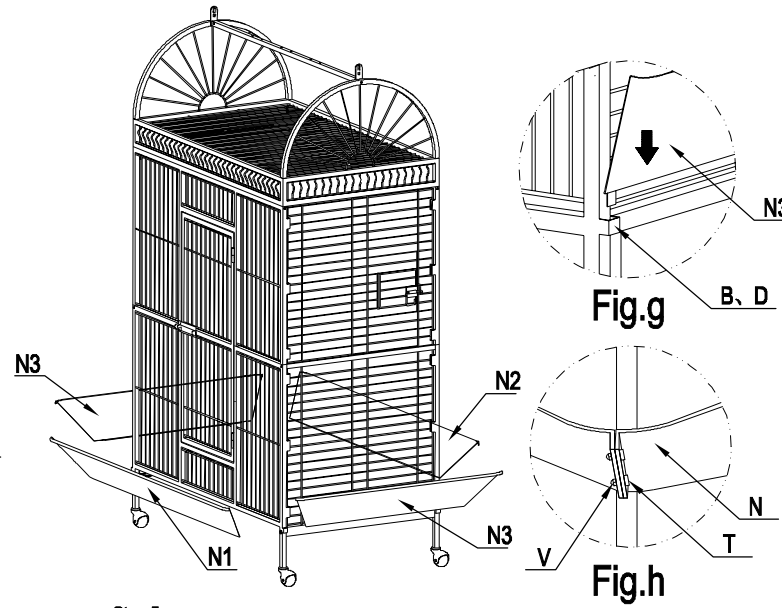
Step 2.

- 1) Align lower side panels (E) with corresponding holes along top surface of lower side bars (K) as Fig. (a, b).
- 2) Assemble top front & back panels (A, C) with lower front & back panels (B, D); then fix them with lower side panels (E) with long hex screws (U).



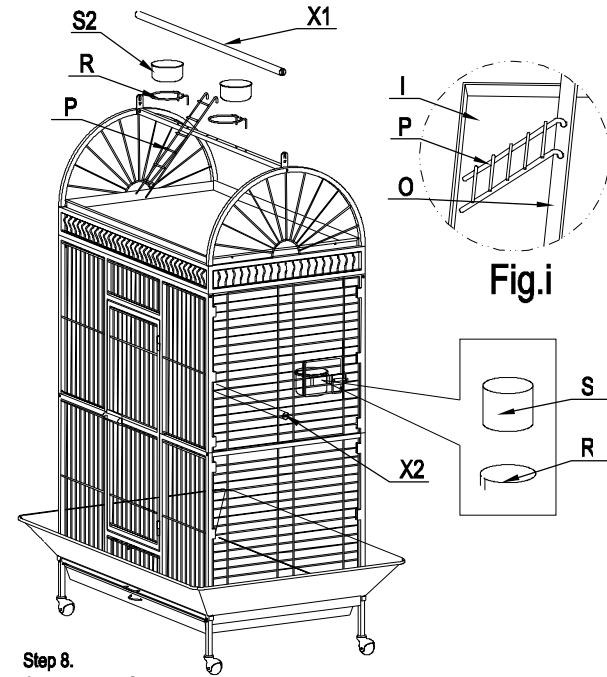
**Step 3.**

- 1) Align right & left grills (F, G) with corresponding holes along top surface of lower side panels (E) as Fig. (c, d).
- 2) Assemble top roof panel (H) with top front & back panels (A, C); then fix them with short hex screws (T) as Fig. (e).



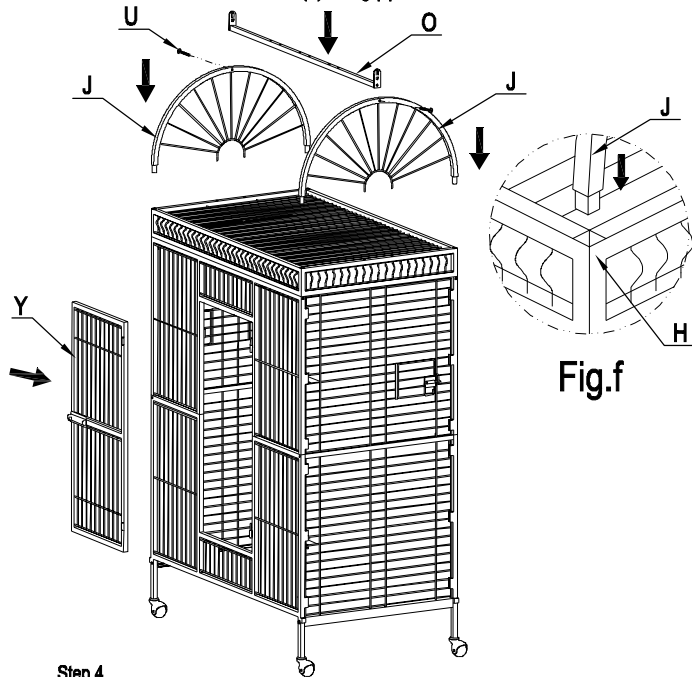
**Step 5.**

- 1) Insert tab of side seed guard (N3) into sleeves on legs of (B, D) panels and slip guards into place as Fig. g.
- 2) Align holes at the secured guards (N3, N1), (N3, N2) together with screws (T) and nuts (V) as Fig. h.



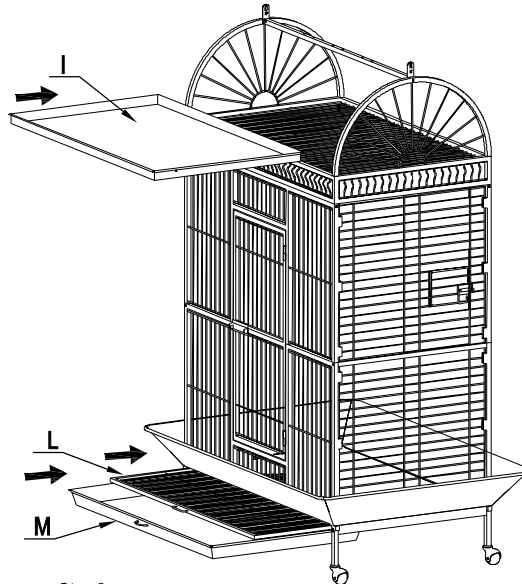
**Step 8.**

- 1) lay the end of ladder into top drawer and install ladder (P) with corresponding holes on perch bar (O) as Fig. i.
- 2) Attach cup holders (R), stainless steel cups (S1, S2), wood perches (X1, X2) as shown.



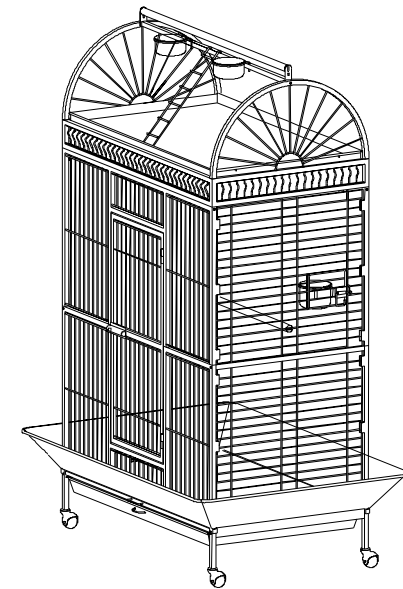
**Step 4.**

- 1) Align top side panels (J) with holes along roof panel (H) as Fig. (f); then attach perch bar (O) to top side panels (J) with long hex screws (U).
- 2) Assemble front door (Y) to cage body.



**Step 6.**

- 1) Insert top drawer (I), bottom grill (L) and bottom tray (M) into cage as shown.



☆ Overall View  
Your cage is now fully assembled.